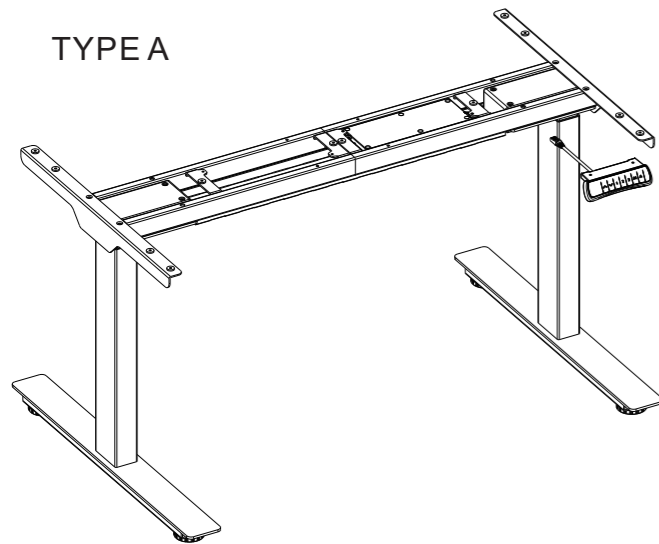


Item No.: K257003/K257008/K257010

Installation guide

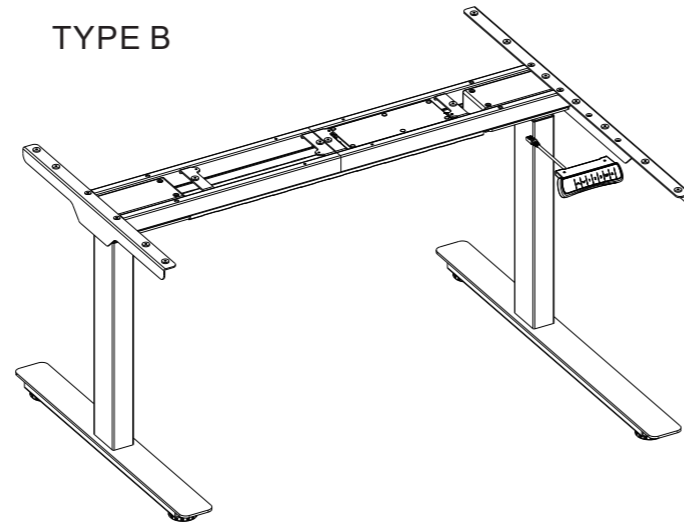
TYPE A



Technical data

Column Stage	3
Max. Weight Capacity	125KG
Height Range	600-1250mm
Width Range	1100-1900mm
Side Brackets Specification	2x580mm
Feet Specification	2x700mm

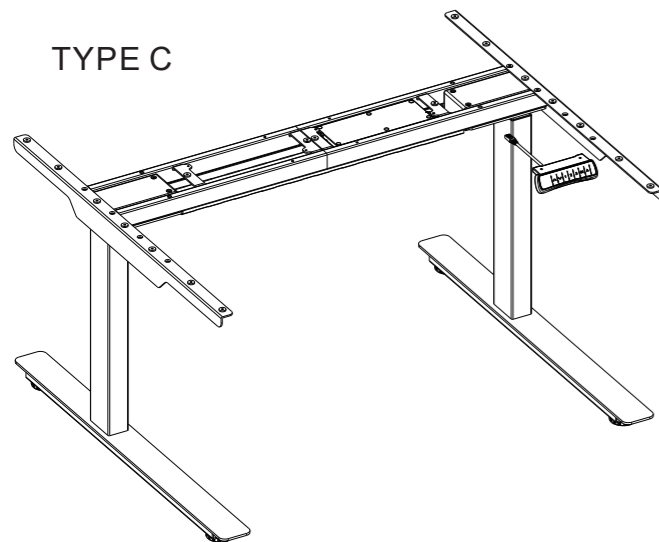
TYPE B



Technical data

Column Stage	3
Max. Weight Capacity	125KG
Height Range	600-1250mm
Width Range	1100-1900mm
Side Brackets Specification	1x580mm, 1x890mm
Feet Specification	1x700mm, 1x900mm

TYPE C



Technical data

Column Stage	3
Max. Weight Capacity	100KG
Height Range	600-1250mm
Width Range	1100-1900mm
Side Brackets Specification	2x890mm
Feet Specification	2x900mm

Accessory list

Attention: The drawings below are for guidance only and they may differ slightly from the product and fittings received. Please contact our customer service department if you have any queries.

No.	Image	Spec	Qty
A		M6	4
B		M6	4
C		M6	8
D		M6	12
E		St4.2	16
F		Allen Key 4x4mm	1

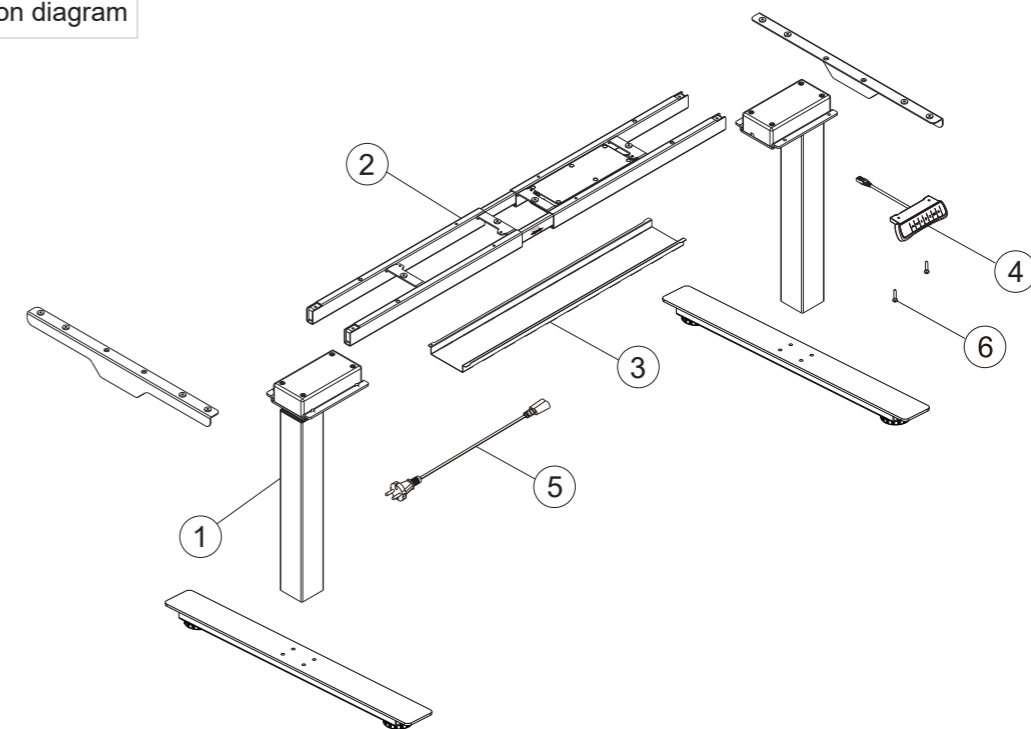
Component list

No.	Part	Qty	No.	Part	Qty
①	Lifting Column	2	②	Supporting Beam (control box included)	1
③	Cable Management Cover	1	④	Handset	1
⑤	Power Plug	1	⑥	Handset screw	2

Freely combinable parts

	1		1
	1		1

Installation diagram

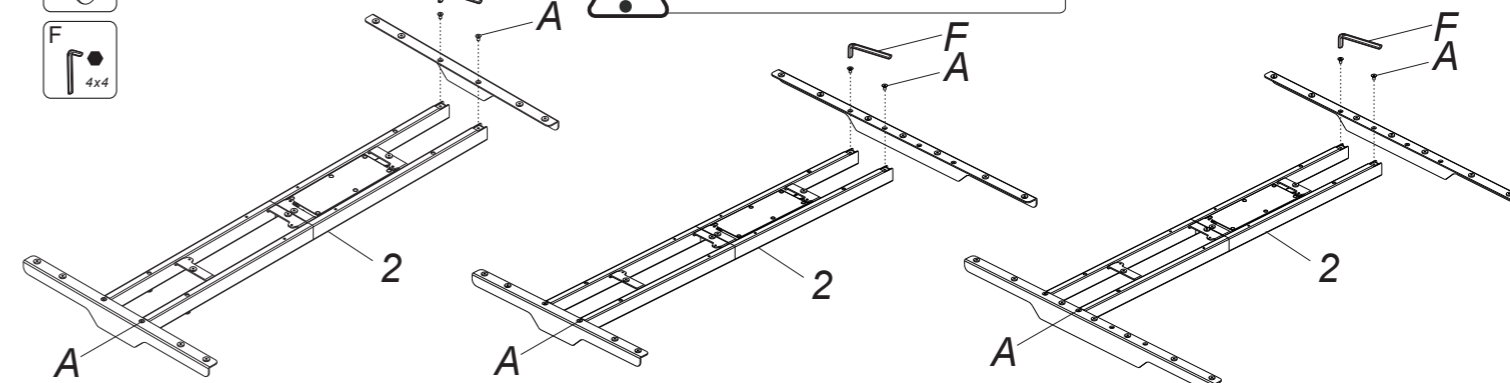


STEP 1

Connect Side Brackets with Supporting Beam



Select side brackets according to needs.



Type A: 2X580mm

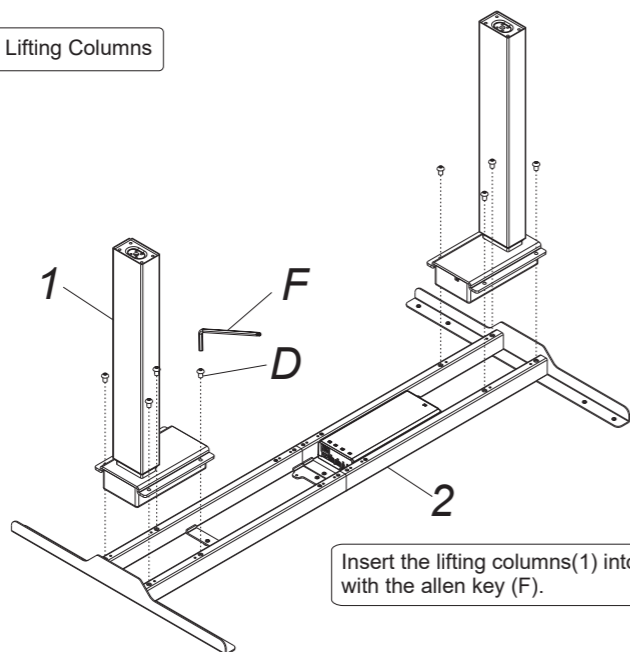
Type B: 1X580mm, 1X890mm

Type C: 2X890mm

Connect the side brackets and the support beam (2) with screws (A) and tighten them with the allen key (F).

STEP 2

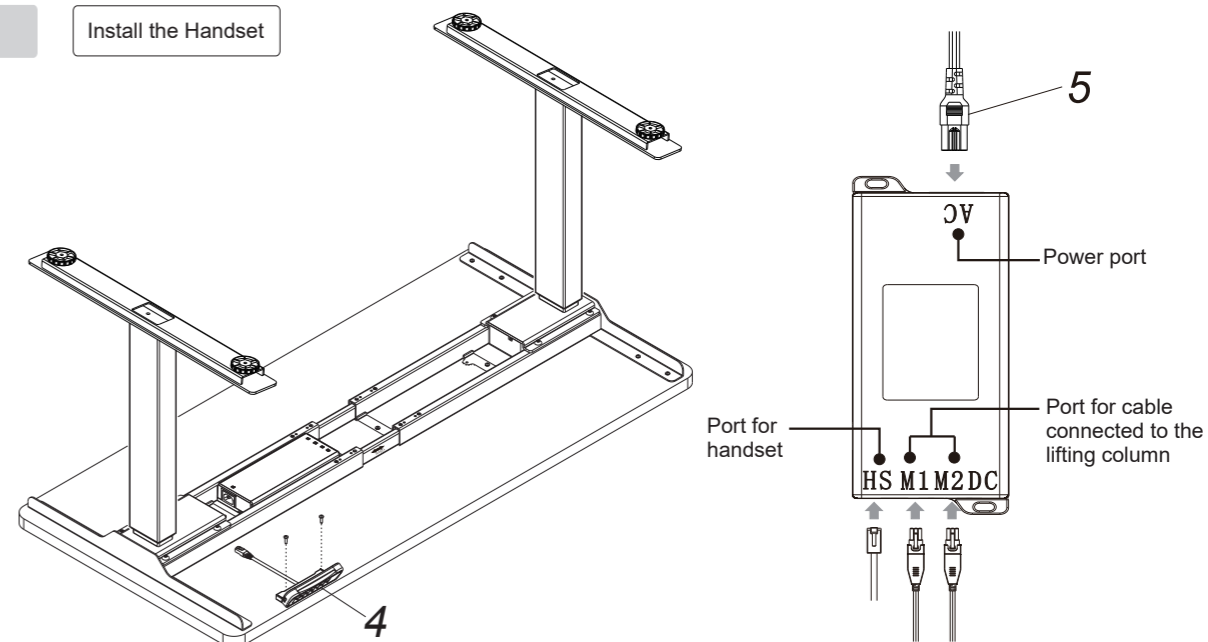
Install the Lifting Columns



Insert the lifting columns(1) into the supporting beam. Tighten the screws with the allen key (F).

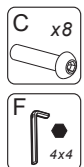
STEP 5

Install the Handset



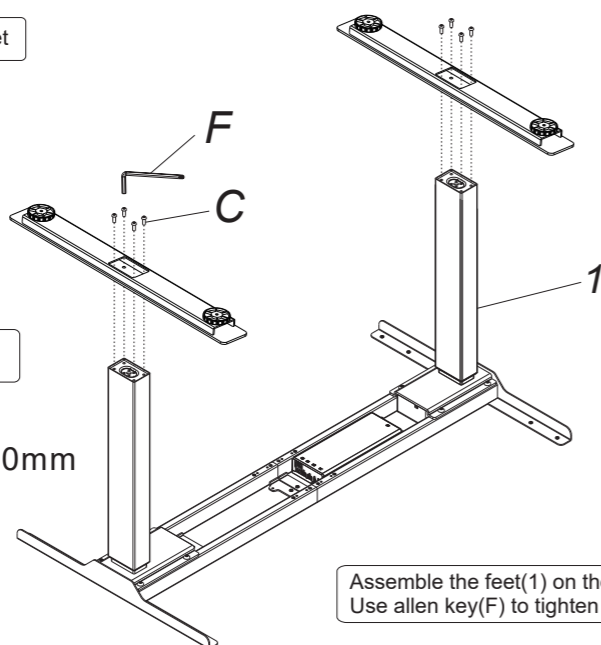
STEP 3

Install the Feet



Choose feet according to needs

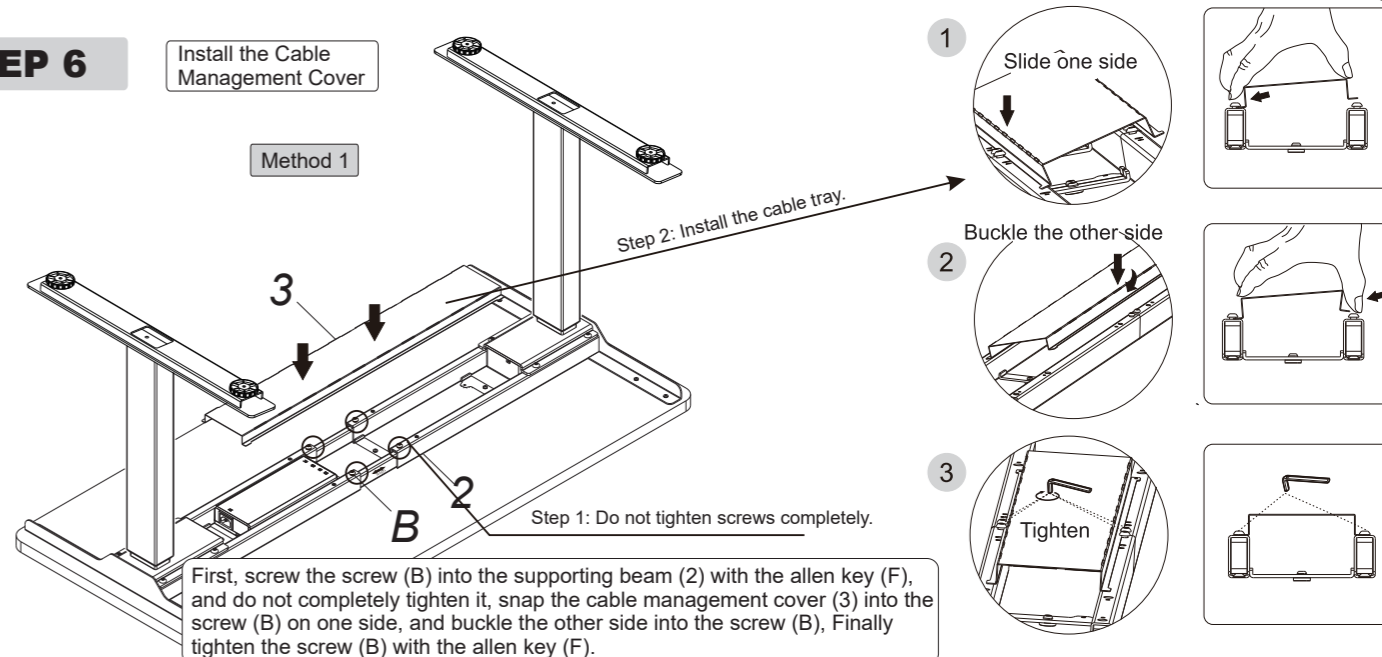
Type A: 2X700mm
Type B: 1X700mm, 1X900mm
Type C: 2X900mm



Assemble the feet(1) on the bottom of the lifting column(2). Use allen key(F) to tighten the screws (C).

STEP 6

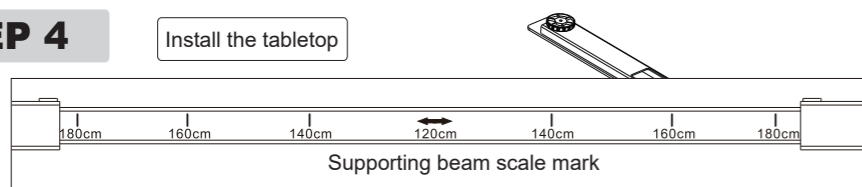
Install the Cable Management Cover



First, screw the screw (B) into the supporting beam (2) with the allen key (F), and do not completely tighten it, snap the cable management cover (3) into the screw (B) on one side, and buckle the other side into the screw (B). Finally tighten the screw (B) with the allen key (F).

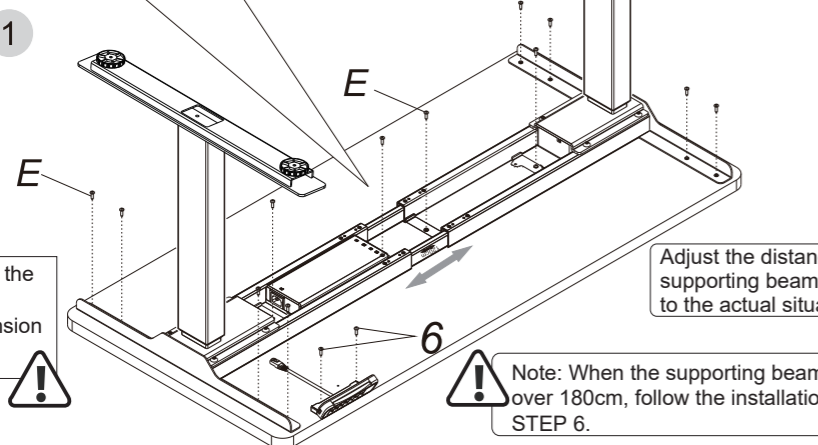
STEP 4

Install the tabletop



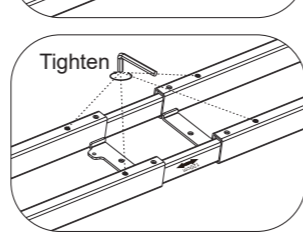
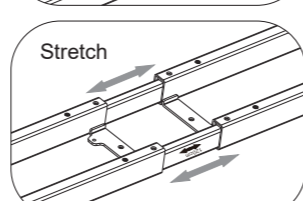
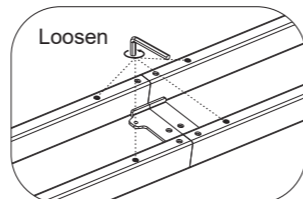
Supporting beam scale mark

The scale mark on the supporting beam matches the dimension of tabletop.



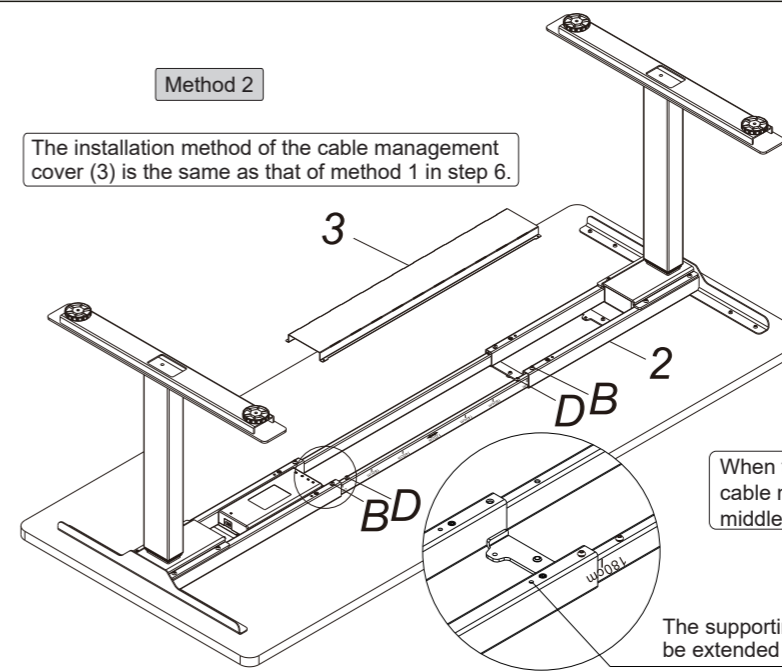
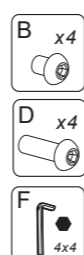
Adjust the distance of the supporting beam according to the actual situation.

Note: When the supporting beam stretches to over 180cm, follow the installation Method 2 in STEP 6.



Method 2

The installation method of the cable management cover (3) is the same as that of method 1 in step 6.

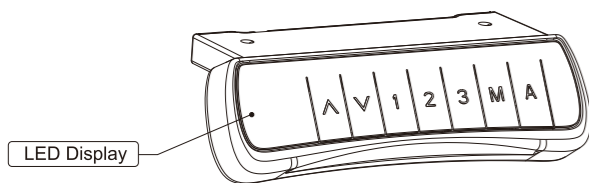


When the supporting beam stretches to over 180cm, cable management cover (3) needs to be placed on the middle connecting rod.

The supporting beam must not be extended beyond this hole.

How to use handswitch

Button



Bottom introduction: There are seven buttons that

"▲", "▼", "1", "2", "3", "M", "A"

(1) "▲" : Adjust the desk upwards

(2) "▼" : Adjust the desk downwards

(3) "1" : Position 1, first height position saved by the user

(4) "2" : Position 2, second height position saved by the user

(5) "3" : Position 3, third height position saved by the user

(6) "M" : Height memory function

(7) "A" : Alert button to remind users changing posture

Instruction

- Height Adjustable Function:
Press the "▲" or "▼" button to adjust the height. The LED display shows the current height.
- Height Memory Function:
a. Press UP or DOWN button and adjust the height to the desired height. Press "M" to save the height, and the screen will display "S-"; Press "1", "2", or "3" then, that is, save the height to the corresponding position 1 or 2 or 3, which will show in the display screen as "S-1", "S-2", or "S-3";
b. Press "1", "2" and "3" button directly to automatically adjust the memory height you saved.
- Reminder Function:
a. Press REMINDER button "A" to activate the function. The LED display shows "00" b. Two seconds later, press the "▲" or "▼" button to adjust the reminder time only when the display screen flashes. The default time of the reminder is 45 minutes, which is shown as "45". Then press any button to save the time setup, or wait 5 seconds and system will save the time setup automatically. During the countdown, any operation will lead to a repeat starting of the timer. When the countdown finishes, display screen will show "00" the buzzer will be active with a 10-second "DiDi...DiDi...DiDi..."tone.
c. Within the 10-second reminder buzz, press any button to reactivate the time countdown that is set up in (b) step. If no operation during the 10-second reminder buzz, there will be another reminder buzz after 5 minutes. No operation during the second buzz will turn off the Long-Time Sitting Reminder.
d. Press and hold the "A" button for three seconds to turn off the Long-Time Sitting Reminder. The LED display shows "FF".
- Anti-collision sensitivity adjustment - optional features:
a. Press and hold the "▲" "▼" button for 5 seconds at the same time to switch the sensitivity. Switch one file f or 1 time and divide it into 4 files (A-3, A-2, A-1, A-0);
b. The display shows "H-0", the anti-collision function is off; the display shows "H-1", low sensitivity; Display shows "H-2", medium sensitivity; display shows "H-3", high sensitivity; (factory default is A-3);
c. During height adjustment, when tabletop comes in contact with another object, it instantly stops and reverses to avoid damage.
d. Press and hold the "▲" "▼" button for 5 seconds at the same time. If the display does not display the above code, there is no anti-collision function.
- Troubleshooting:
a. Reset: When the LED shows "H5f", press "▼" button until the desk reaches its lowest height and rebounds to stop, it means the reset has been finished.
b. When it doesn't work and the LED shows "E01" or "E02", please retry 18 mins later.
c. If the "▼" button doesn't work, please check the cable connection and then cut off the power for at least 10 seconds. Reconnect to the power and press "▼" button to start the reset process when it shows the "H5f".
d. If all these above process are inefficient, plz contact our customer service.

Common Error treatment

The following tips will help you detected and eliminate the common fault and error. If the error you meet is not on the list, please contact our customer service.

Error	Method
No response while pressing	Check if all the cables well connected;
Rising in a low speed	Check if overloaded the max loading;
The desktop moving towards the opposite direction as ordered	Reposition;
The desk moving downwards without any operation	Check if overloaded the max loading;
Automatically Self-Reset	Check if overloaded the max loading;
Overload Operation	Restart after suspend for 18mins while connecting with power;
Can't reach the min or max height	Press "M" and "3" together for 3 seconds or more, after hearing beep for twice, it will reset.



Attention

1. Power supply: AC100V-240V,50/60Hz
2. Service Environment: 0-40℃
3. Unplug the power plug before cleaning, wipe the dust on surface with slight wet dishcloth when cleaning, be careful not to let the drops into the internal parts, not loose the connector.
4. The electric box contains electronic components, metals, plastics, wires etc., so dispose of it in accordance with each country's environmental legislation, not the general household waste.
5. Check carefully to ensure correct and complete assembly before using.
6. Be familiar with all functions and program settings of the product before first use.
7. Children are forbidden to play on the product because of unforeseen action when playing, so any dangerous consequences caused by this improper action will not be on manufacturers.
8. Slight noise caused by the V-ribbed belt or brake system due to structure will not have any effect on the use of the equipment.
9. Corrosive or abrasive materials are forbidden to clean the equipment. Must ensure that the cleaner used will not pollute the environment.
10. This appliance can be used by children aged from 8 years and above and persons with reduced physical, sensory or mental capabilities or lack of experience and knowledge if they have been given supervision or instruction concerning use of the appliance in a safe way and understand the hazards involved. Children shall not play with the appliance.
11. Cleaning and user maintenance shall not be made by children without supervision.
12. If the supply cord is damaged, it must be replaced by the manufacturer, its service agent or a similarly qualified person in order to avoid a hazard.
13. Please make sure there is no hazard sources in your operating environment. e.g., do not litter the tools around. Always be careful to treat the packaging materials in order to avoid any possible danger, e.g. plastic bag may lead to choking hazard to children.
14. Keep the original package of the equipment if necessary in case of the future use in transportation.

Waste disposal



This marking indicates that this product should not be disposed with other household wastes. To prevent possible harm to the environment or human health from uncontrolled waste disposal, recycle it responsibly to promote the sustainable reuse of material resources. To return your used device, please use the return and collection systems or contact the retailer where the product was purchased. They can take this product for environmental safe recycling.